

General Description

Series LOA valves are single and double, pilot operated check valves. They are designed to lock a cylinder or part of a circuit without leakage, while a control valve is in a neutral position. Lock valves function as check valves, allowing flow to a cylinder and blocking reverse flow until pilot pressure is applied to unlock the circuit. This valve works best when used with a directional control valve that vents the work ports to tank when it is in a neutral mode.

Operation

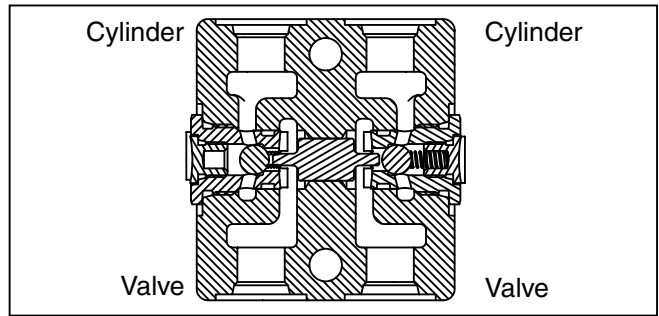
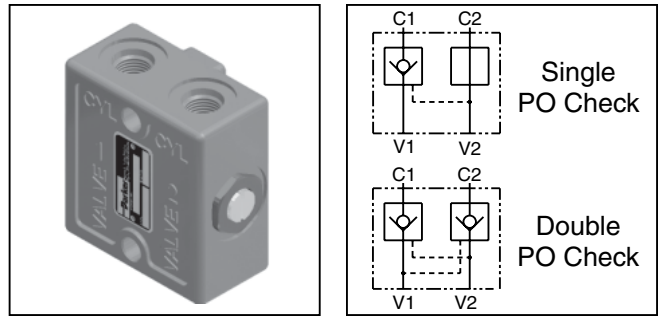
Free flow is permitted from the valve port to the work port through the check valve. This check prevents reverse flow in the absence of pilot pressure. When adequate pilot pressure is applied at the pilot port, the pilot piston unseats the check poppet permitting free flow.

Features

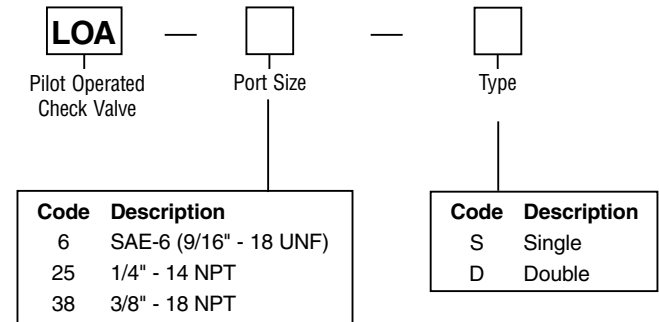
- Hardened seats
- Ball/Spring check valves
- High tensile, cast iron body

Specifications

Input Flow	30 LPM (8 GPM)
Operating Pressure SAE Ports NPTF Ports	210 Bar (3000 PSI) 138 Bar (2000 PSI)
Pilot Ratio	3.36 to 1
Operating Temperature Range (Ambient)	Nitrile Seals: -40°C to +93°C (-40°F to +200°F)
Material	Body – High strength cast iron
Filtration	ISO Code 16/13 SAE Class 4 or better
Mounting Position	In-line; no restrictions



Ordering Information



Service Parts

Check Valve	04169001
-------------	----------

Note: The body and the internal parts are non-service items.

Inch equivalents for millimeter dimensions are shown in (**)

